

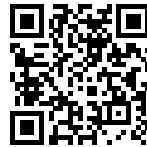
KE Sink 30" x 18" – F/M



Kitchen Sinks

Code: 2157 063

AISI 304 Stainless steel
Foster brushed
Flush-mount



DETAILS

Edge/Installation Type Flush-mount | Top-mount

Finish Foster brushed

Series KE

Texture Foster brushed

Material AISI 304 stainless steel

Thickness 18 Gauge (1.2 mm)

Overall dimensions 29 1/2" x 17 5/16"

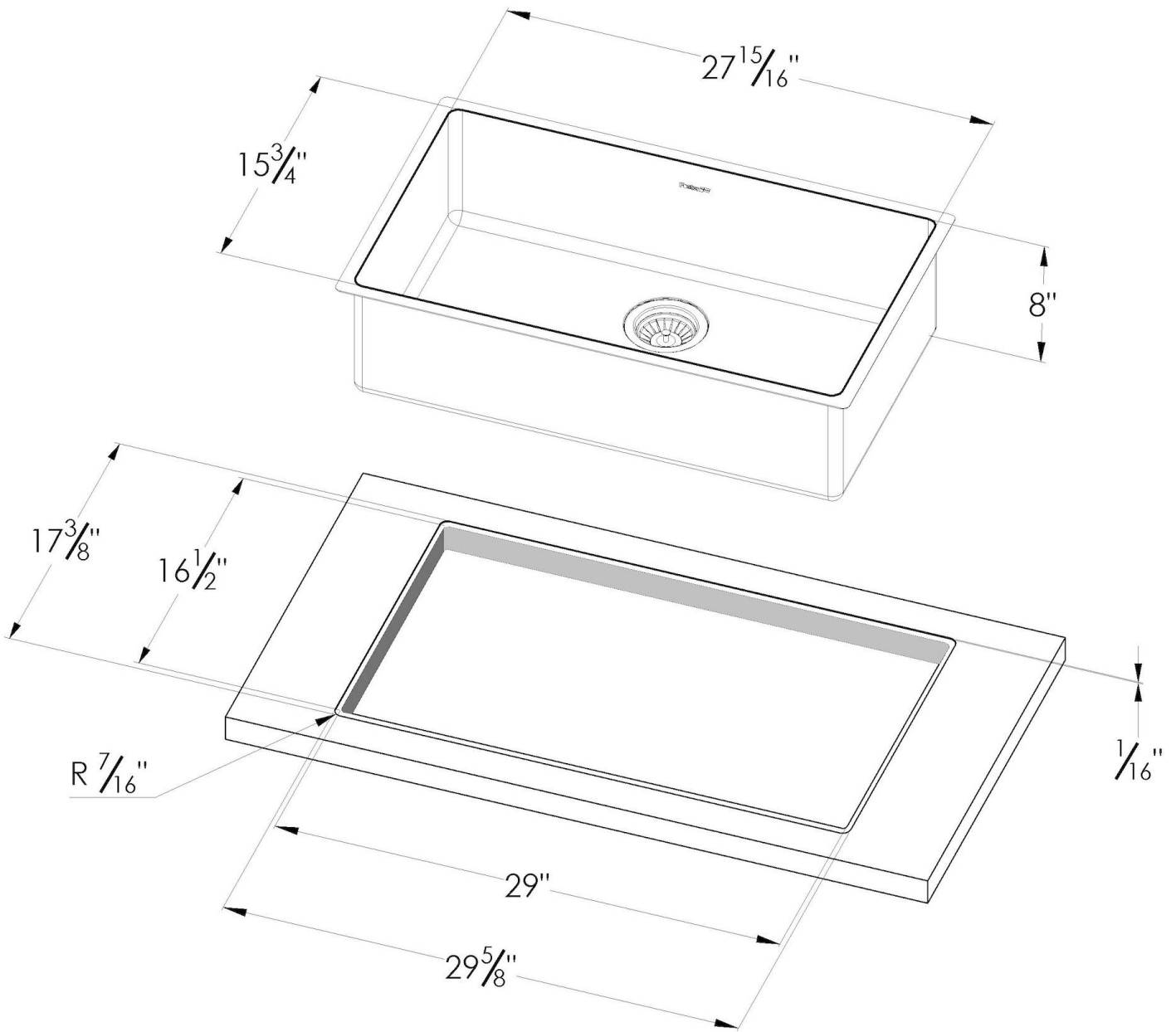
Bowl dimension 1 bowl 27 15/16" x 15 3/4"

Bowls depth	8"
Flush-mount cut-out	See cut-out drawing
Overmount cut-out	29" x 16 1/2"
Waste fitting type	3 1/2" - with stainless steel basket
Underside	Protected with heavy duty undercoating

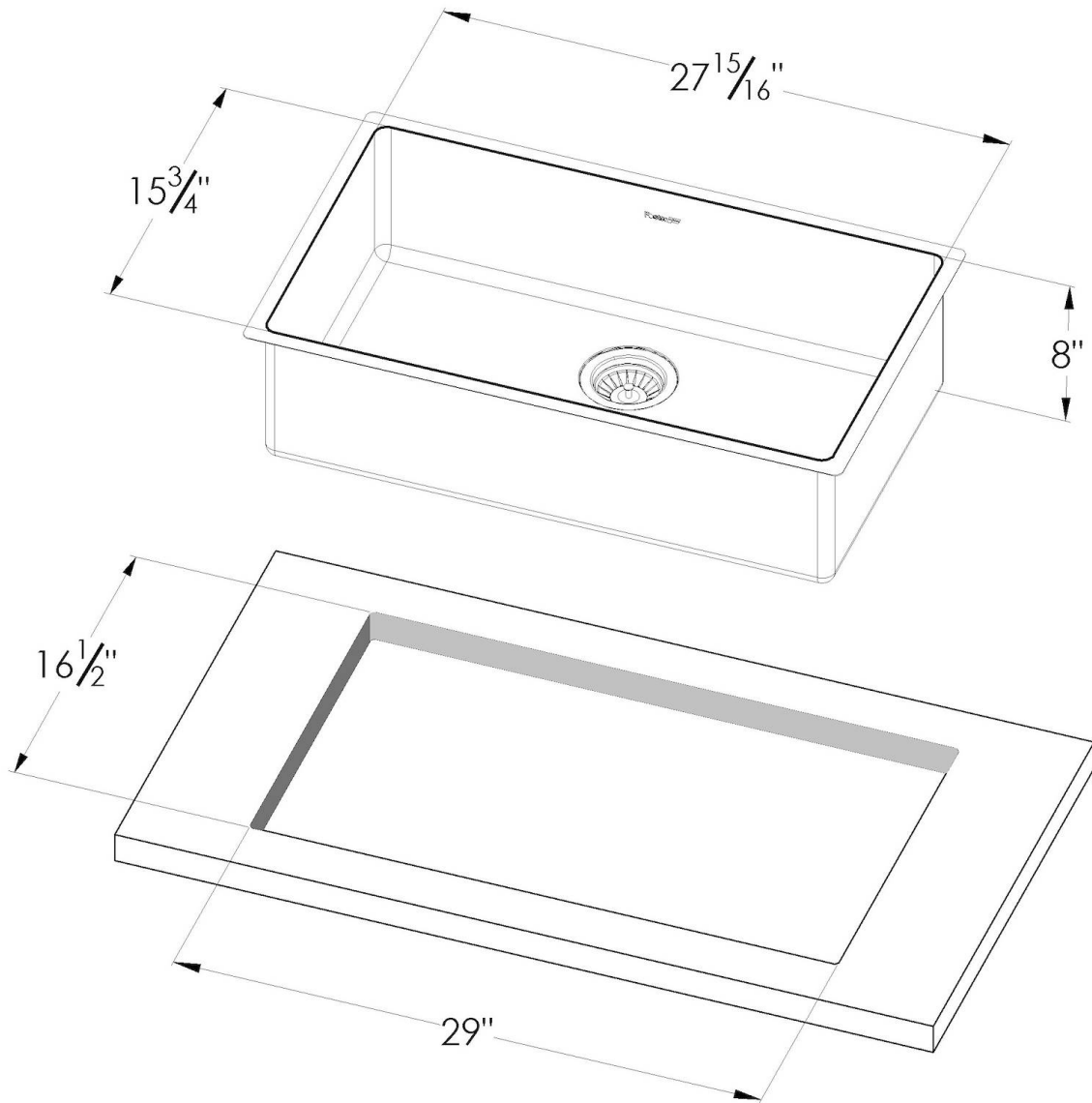
FEATURES

Basket 3,5" waste fitting	The drain is equipped with a large 3.5" drain, with the practical basket cap that prevents the discharge of solid parts.
High thickness 1.2	1.2 mm thick steel. A significant thickness, which guarantees the maximum sturdiness and durability.
Small radius	Bowls with squared shapes with a modern design and an increased capacity, for a minimal aesthetics connected with an extreme practicality.

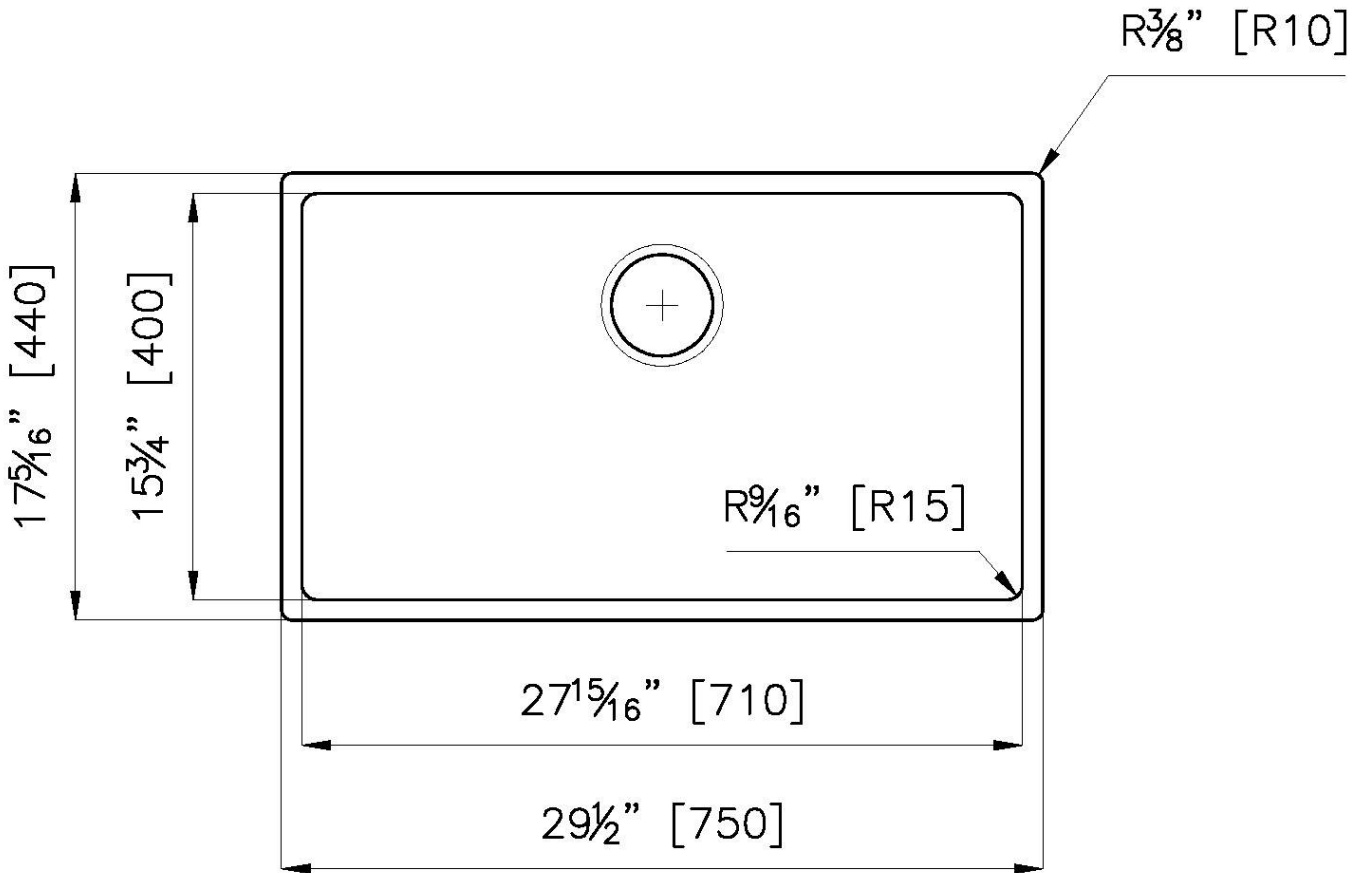
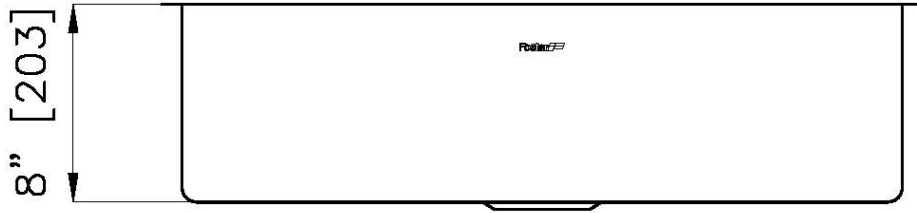
TECHNICAL DATA



Flush-mount installation - FT



Installation on top of worktop - SPT



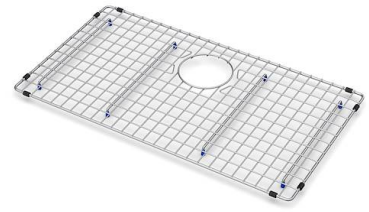
OPTIONAL ACCESSORIES



Chopping Board
8631 300



Grating kit complete with ring support and food collection tray
8159 101
* only in combination with the accessory
8644 101



Grid
8100 404



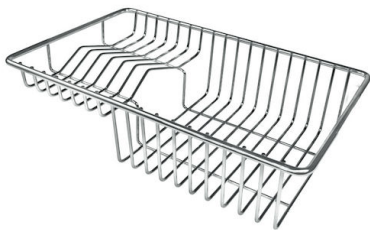
HPDE Chopping board
8657 001



HPDE Chopping board GREY
8657 002



Iroko-wood sliding chopping board with stainless steel colander
8644 044



Stainless Steel dishes holder
8100 303
* only in combination with the accessory
8644 101



Stainless steel perforated pan
8151 000
* only in combination with the accessory
8644 101



Twin Chopping Board
8644 101



Waste disposer throat
8669 043

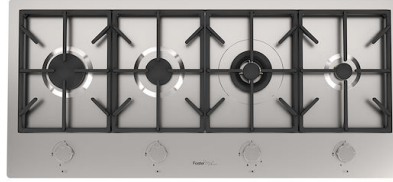


White bowl
8153 100

RECOMMENDED PAIRINGS



Faucet Ponza
8497 025



Milano Cooktop 4 burners inLine
7640 900